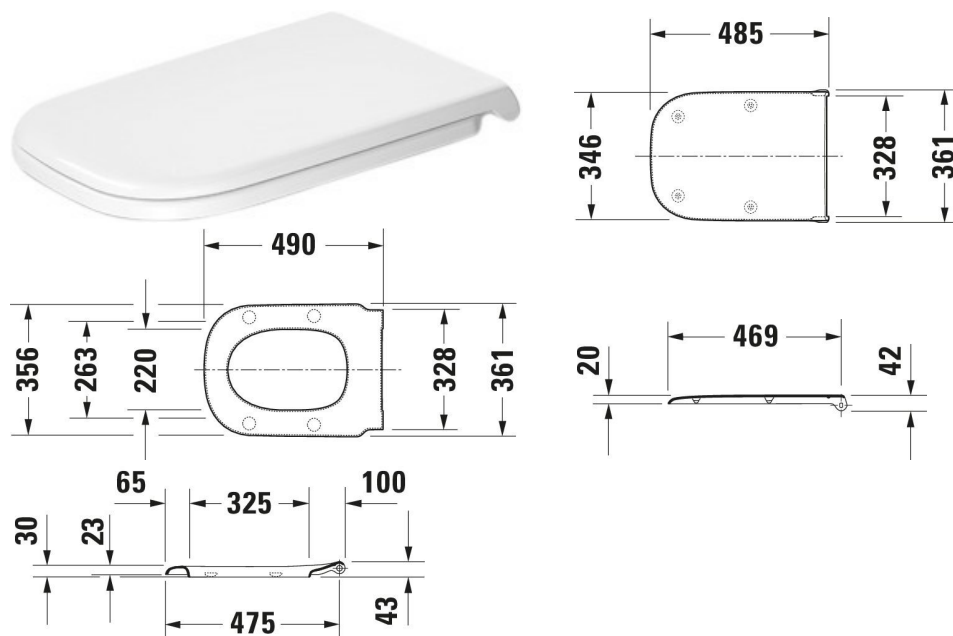


D-Code Toilet seat Vital # 0060310000

|< 361 mm >|



Toilet seat Vital	Dimension	Weight	Order number
Soft-closing: No, Hinge material: Stainless steel, Elongated			
Colors			
00 White Alpin			
Variant			
White High Gloss, Hinge colour: Stainless steel	361x43 mm	2.100 kg	0060310000
Suitable products			
Wall-mounted toilet Vital Flush water quantity: 4,5/3 l, Washdown model, Flushing rim: Closed, Flush principle: washdown model, Outlet drain horizontal, Barrier-free version, Unified Water Label (UWL) Class: 1, 360 x 700 mm	360 x 700 mm		222809

All drawings contain the necessary measurements which are subject to standard tolerances. They are stated in mm and are non-binding. Exact measurements, in particular for customised installation scenarios, can only be taken from the finished piece.