

Vernis Blend
Single lever basin mixer 190 with pop-up waste set
 Finish: **Chrome** Article Number: **71552000**



Description

product features

- consists of: single lever basin mixer, waste set
- ComfortZone: 190
- projection: 169 mm
- spout height: 190 mm
- handle variant: lever handle
- spray type: normal spray
- swiveling spray former
- maximum flow rate at 3 bar: 5 l/min
- ceramic cartridge
- temperature limitation adjustable
- suitable for continuous flow water heaters
- pop-up waste set G 1¼
- material waste set: synthetic
- connection type: G ¾ hose connections
- connection dimension: DN15
- EU taxonomy: max. 6 l/min - Substantial Contribution (SC) possible

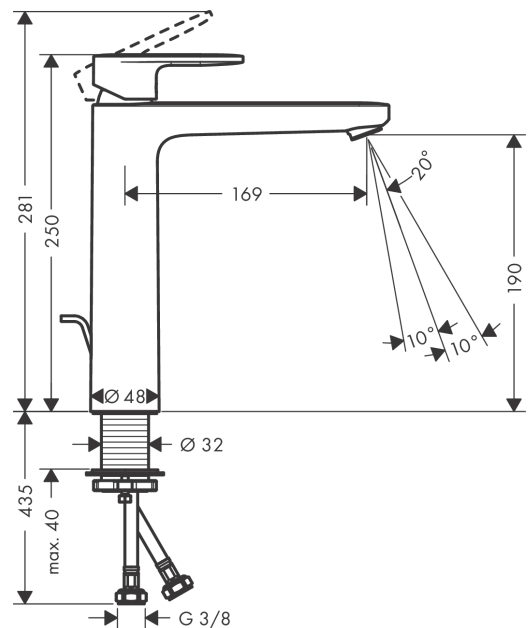
Technology



Product image



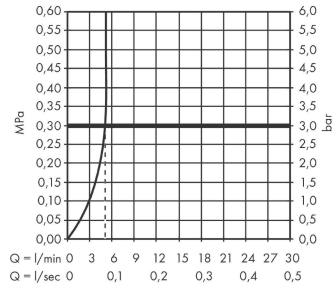
Scale drawing



Vernis Blend
Single lever basin mixer 190 with pop-up waste set
 Finish: **Chrome** Article Number: **71552000**



Flowchart

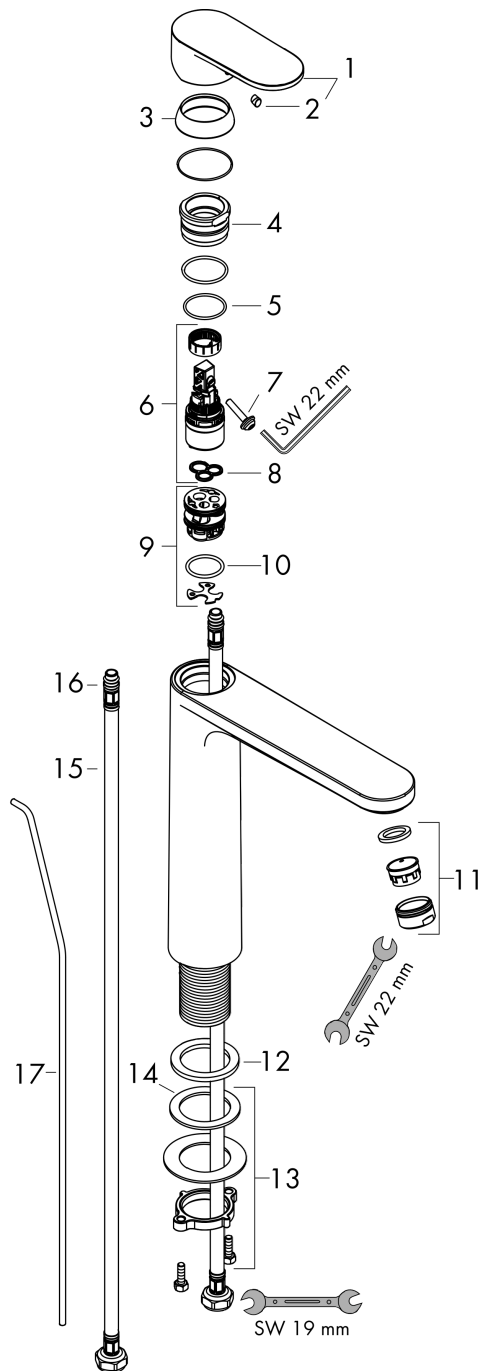


Vernis Blend
Single lever basin mixer 190 with pop-up waste set
 Finish: **Chrome** Article Number: **71552000**



Exploded Drawing

Year of production: >07/21



Vernis Blend
Single lever basin mixer 190 with pop-up waste set
 Finish: **Chrome** Article Number: **71552000**



Spare part list

Year of production: >07/21

Pos.	Description	Article Number	PC	PU
1	handle	93678000	8	1
2	screw cover	96338000	1	1
3	flange	93680000	3	1
4	nut	93681000	6	1
5	O-ring 24x1,5	98434000	1	1
6	cartridge, assy	97685000	11	1
7	locking screw for handle	95140000	2	1
8	seal	98865000	8	1
9	adapter for cartridge	98866000	8	1
10	O-ring 23x2	98398000	1	1
11	aerator swivelling M24x1 (5 l/min)	93834000	6	1
12	seal Ø 42	98722000	2	1
13	fixing set (Ø 32)	13961000	7	1
14	lever collar	97548000	1	1
15	connection hose 600 mm M8x0,75 G3/8	96556000	7	1
16	O-ring 7x1,5	98422000	1	1
17	pull rod	93683000	4	1