

Rebris E
Single lever bidet mixer with pop-up waste set
 Finish: **Chrome** Article Number: **72211000**



Description

product features

- consists of: single lever bidet mixer, waste set
- spout height: 89 mm
- aerator with ball pivot
- spray type: normal spray
- maximum flow rate at 3 bar: 5 l/min
- ceramic cartridge
- temperature limitation adjustable
- suitable for continuous flow water heaters
- pop-up waste set G 1¼
- material waste set: synthetic
- connection type: G ¾ hose connections
- connection dimension: DN15
- EU taxonomy: max. 6 l/min - Substantial Contribution (SC) possible

Technology



Design awards



reddot winner 2022



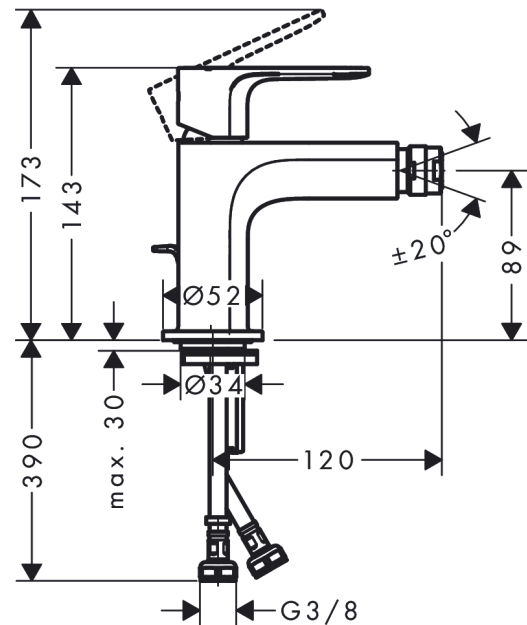
Certificates / Sustainability



Product image



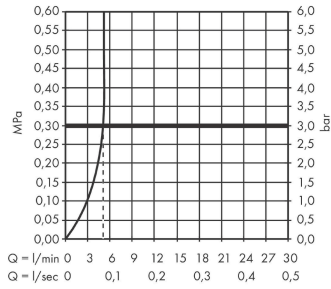
Scale drawing



Rebris E
Single lever bidet mixer with pop-up waste set
 Finish: **Chrome** Article Number: **72211000**



Flowchart

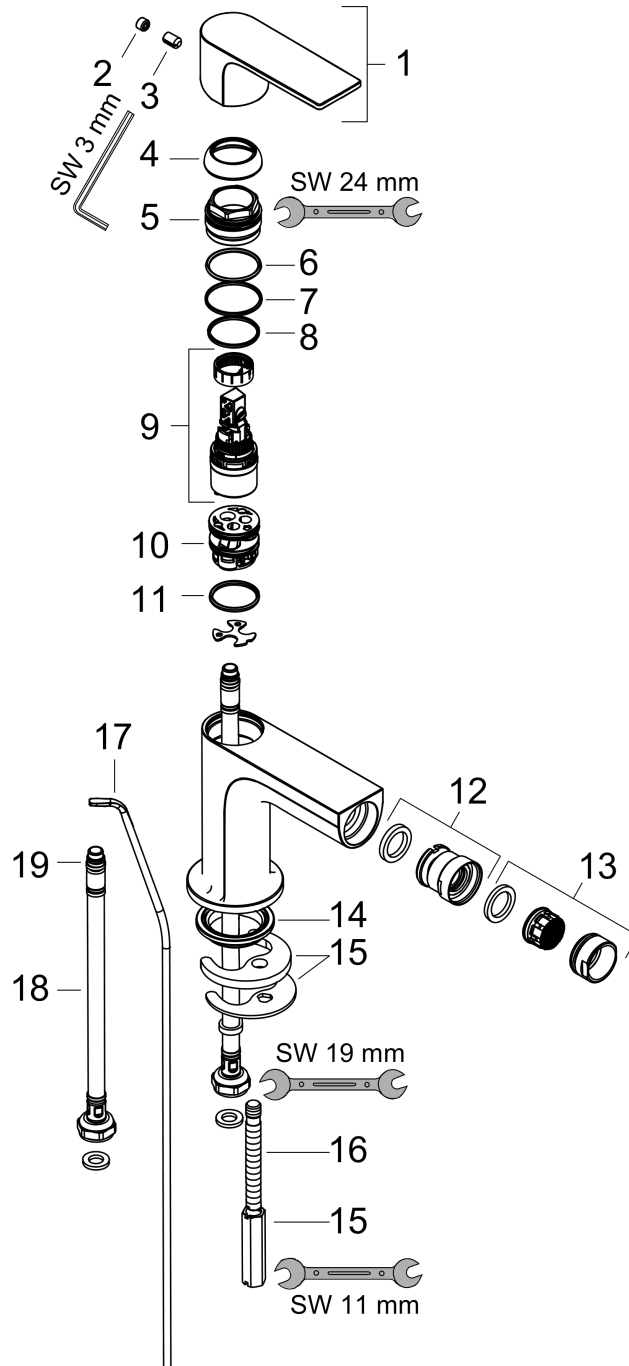


Rebris E
Single lever bidet mixer with pop-up waste set
 Finish: **Chrome** Article Number: **72211000**



Exploded Drawing

Year of production: >06/22



Rebris E
Single lever bidet mixer with pop-up waste set
 Finish: **Chrome** Article Number: **72211000**



Spare part list

Year of production: >06/22

Pos.	Description	Article Number	PC	PU
1	handle	94643000	10	1
2	screw cover	95704000	1	1
3	hollow set screw M6x10 DIN 916	96029000	1	1
4	flange	98863000	10	1
5	nut	98864000	9	1
6	O-ring 24x2	98388000	1	1
7	O-ring 27x1,5	92527000	3	1
8	O-ring 25x1,5	98146000	2	1
9	cartridge, assy	95973001	12	1
10	adapter for cartridge	98866000	8	1
11	O-ring 23x2	98398000	1	1
12	ball joint	96050000	9	1
13	aerator M24x1 (5 l/min)	92372000	6	1
14	seal Ø 42	98722000	2	1
15	fixing set	96016000	8	1
16	screw M8 x 68	97736000	2	1
17	connection hose 450 mm M8x0,75 G3/8	97206000	8	1
18	O-ring 6,6x1,6	93019000	1	1
19	pull rod	96657000	4	1
a	pop up waste	92168000	9	1