

Focus

Single lever basin mixer 100 with pop-up waste set

Finish: **Chrome** Article Number: **31607000**



Description

product features

- consists of: single lever basin mixer, waste set
- ComfortZone: 100
- projection: 119 mm
- spout height: 94 mm
- handle variant: lever handle
- spray type: normal spray
- maximum flow rate at 3 bar: 5 l/min
- ceramic cartridge
- temperature limitation adjustable
- suitable for continuous flow water heaters
- pop-up waste set G 1¼
- material waste set: metal
- connection type: G ¾ hose connections
- connection dimension: DN15
- EU taxonomy: max. 6 l/min - Substantial Contribution (SC) possible

Technology



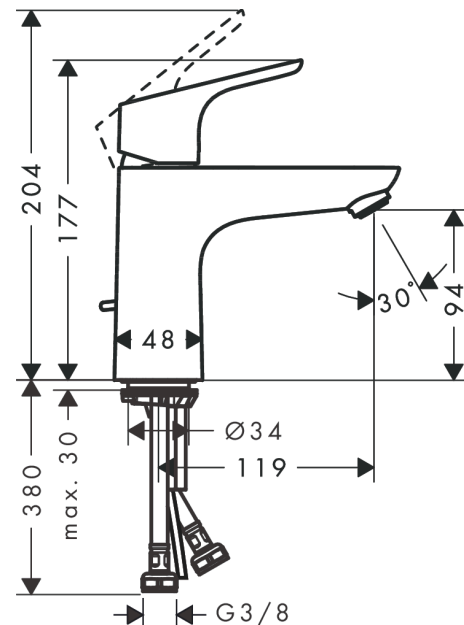
Certificates / Sustainability



Product image



Scale drawing



Focus

Single lever basin mixer 100 with pop-up waste set

Finish: **Chrome** Article Number: **31607000**



Flowchart

