

SPECIFICATION SHEET

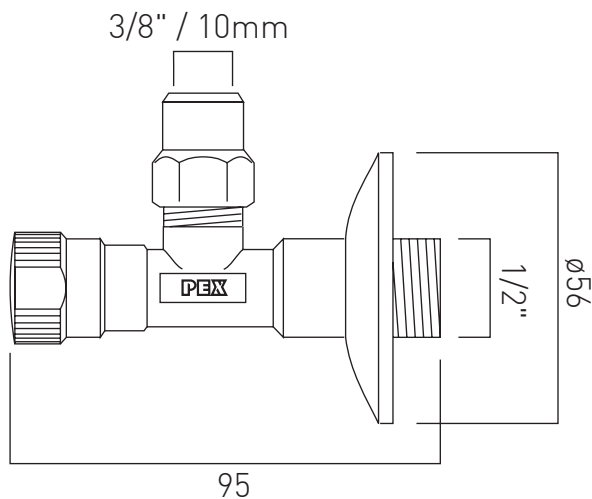


PRODUCT CODE: PEX-228A-C/P

DESCRIPTION:

1/2" x 3/8" angle valve with 10mm compression nut

FINISH: Chrome



| standard packing details | |
|--------------------------|-------|
| item weight (kg) | 0.134 |
| inner box contains | 1 |
| box weight (kg) | 0.158 |
| outer carton contains | 100 |
| carton weight (kg) | 16 |
| full pallet contains | 2200 |
| pallet weight (kg) | 367 |

tel: +44 (0)1934 745160
email: export@vado.com
www.vado.com

