

SPECIFICATION SHEET

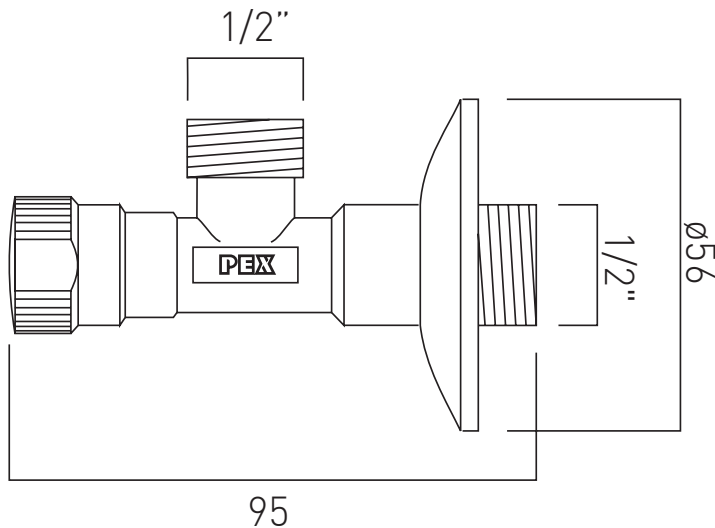


PRODUCT CODE: PEX-225A-C/P

DESCRIPTION:

1/2" x 1/2" angle valve

FINISH: Chrome



standard packing details	
item weight (kg)	0.125
inner box contains box weight (kg)	1 0.148
outer carton contains carton weight (kg)	100 15
full pallet contains pallet weight (kg)	2200 345

tel: +44 (0)1934 745160
email: export@vado.com
www.vado.com

